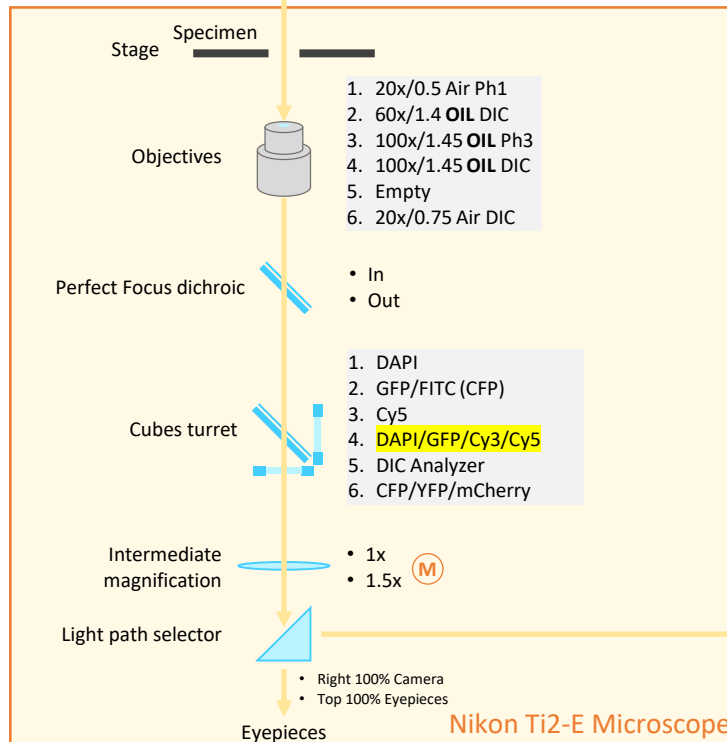
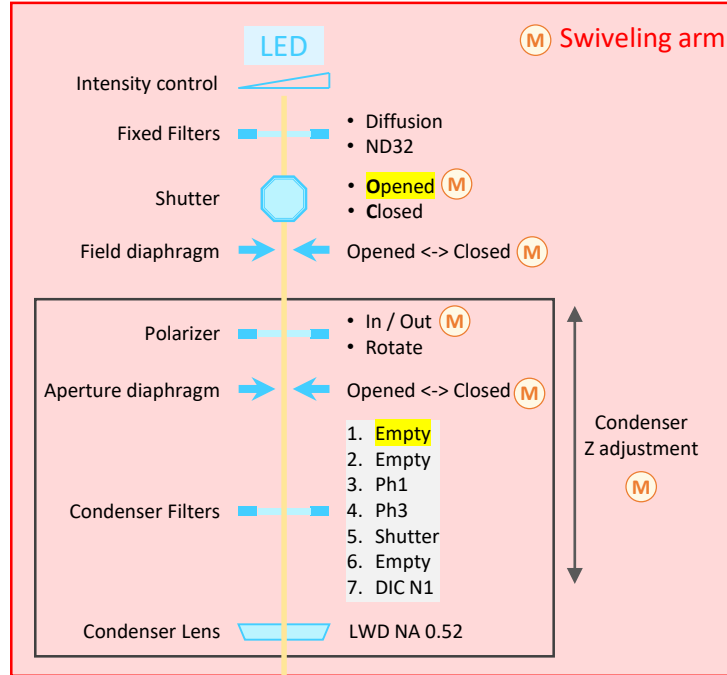


Nikon Ti2 R-619

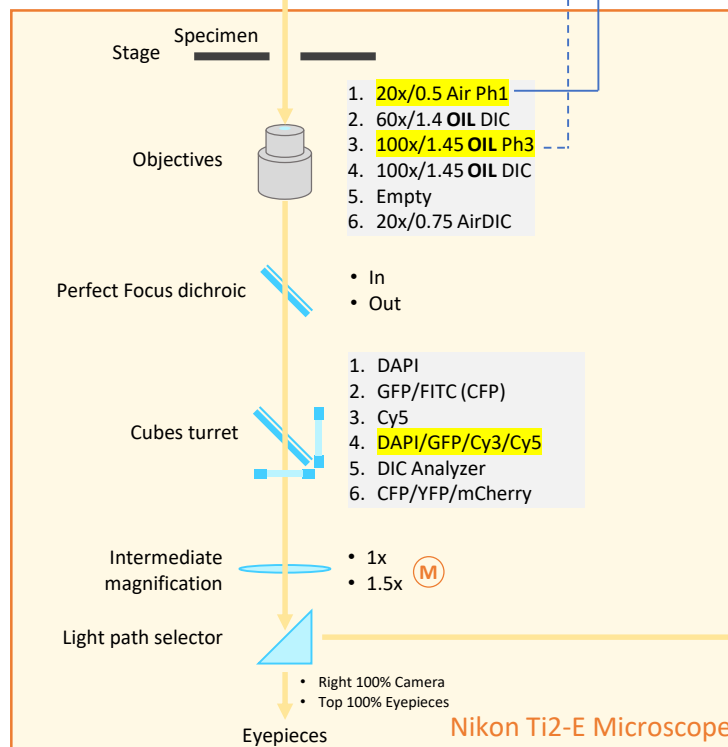
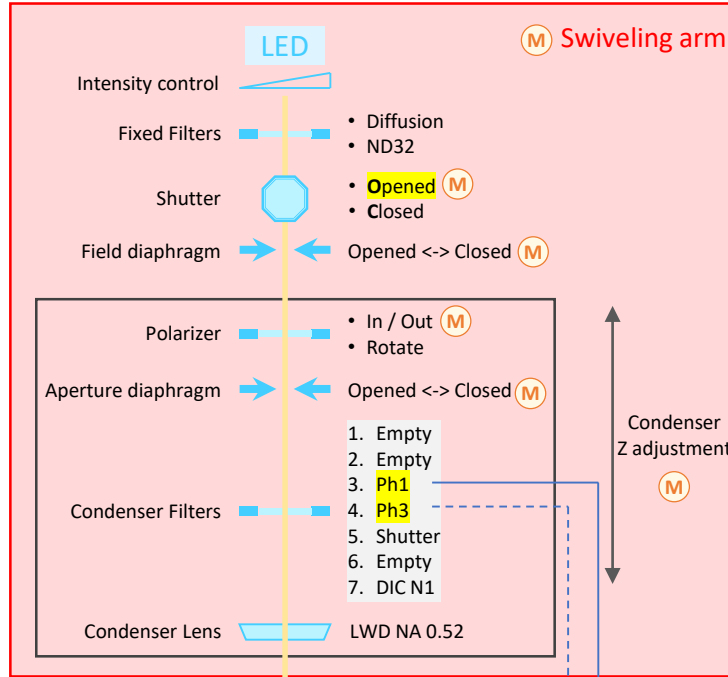
Transmitted Light: Bright field



(M) Manual component

Nikon Ti2 R-619

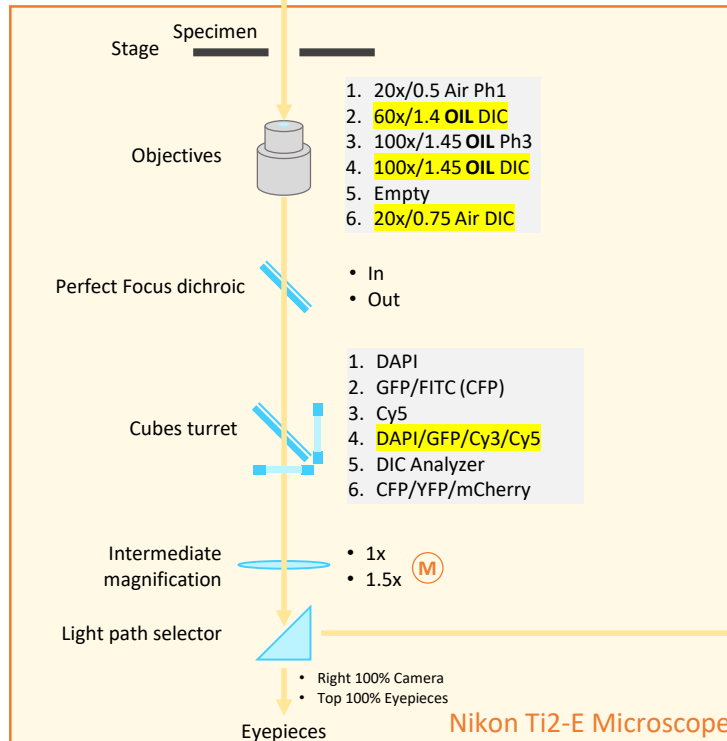
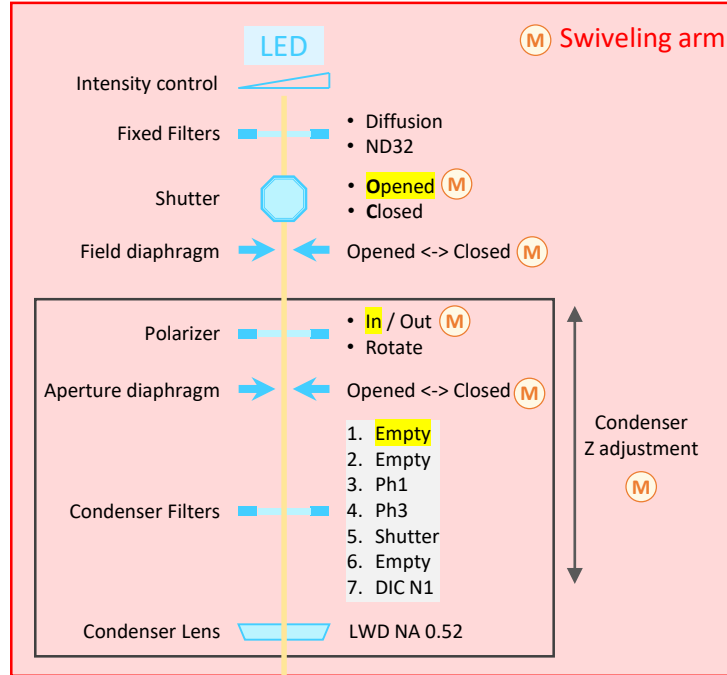
Transmitted Light: Phase Contrast



(M) Manual component

Nikon Ti2 R-619

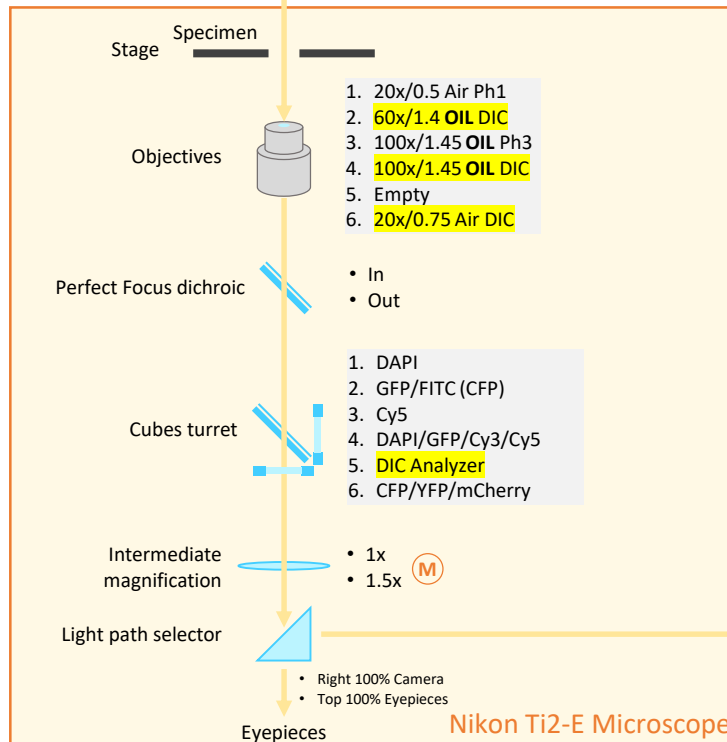
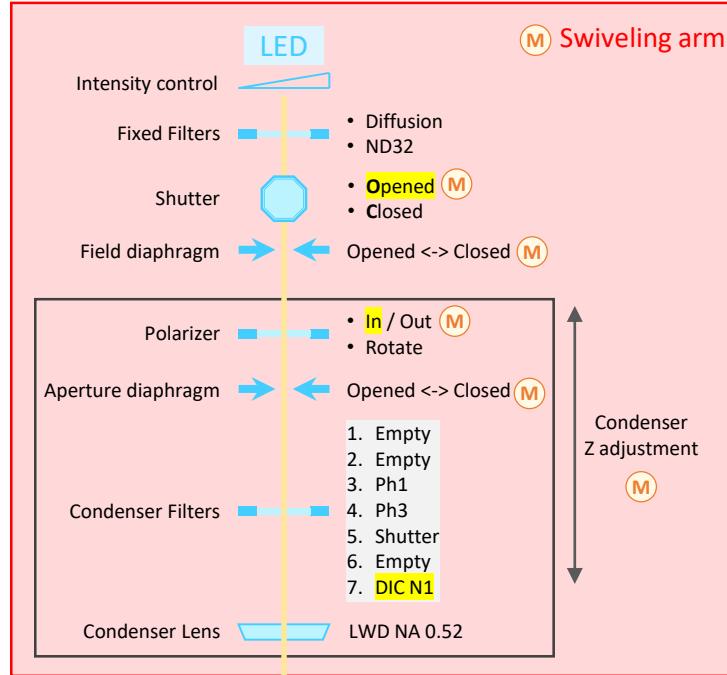
Transmitted Light: Polarized light



(M) Manual component

Nikon Ti2 R-619

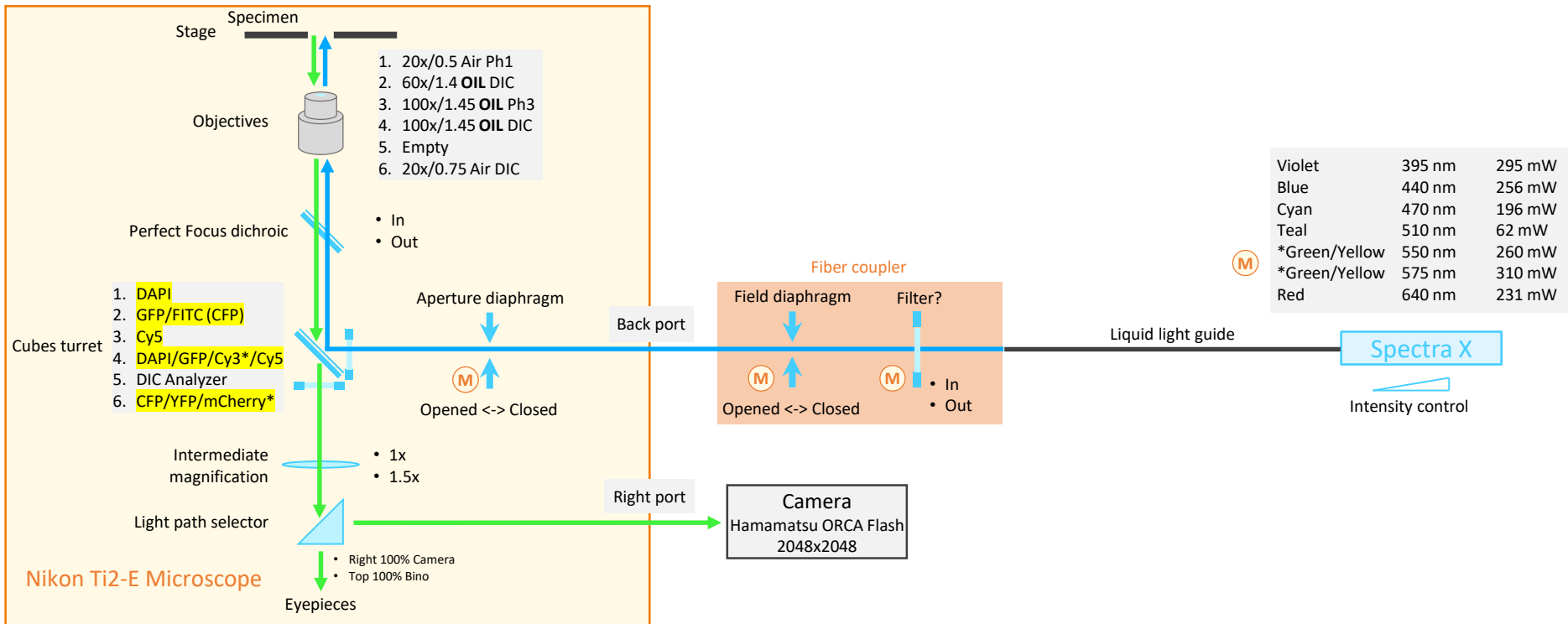
Transmitted Light: Differential Interference Contrast (DIC)



(M) Manual component

Nikon Ti2 R-619

Reflected Light: Fluorescence



(M) Manual component

(M)*:requires manual filter switching