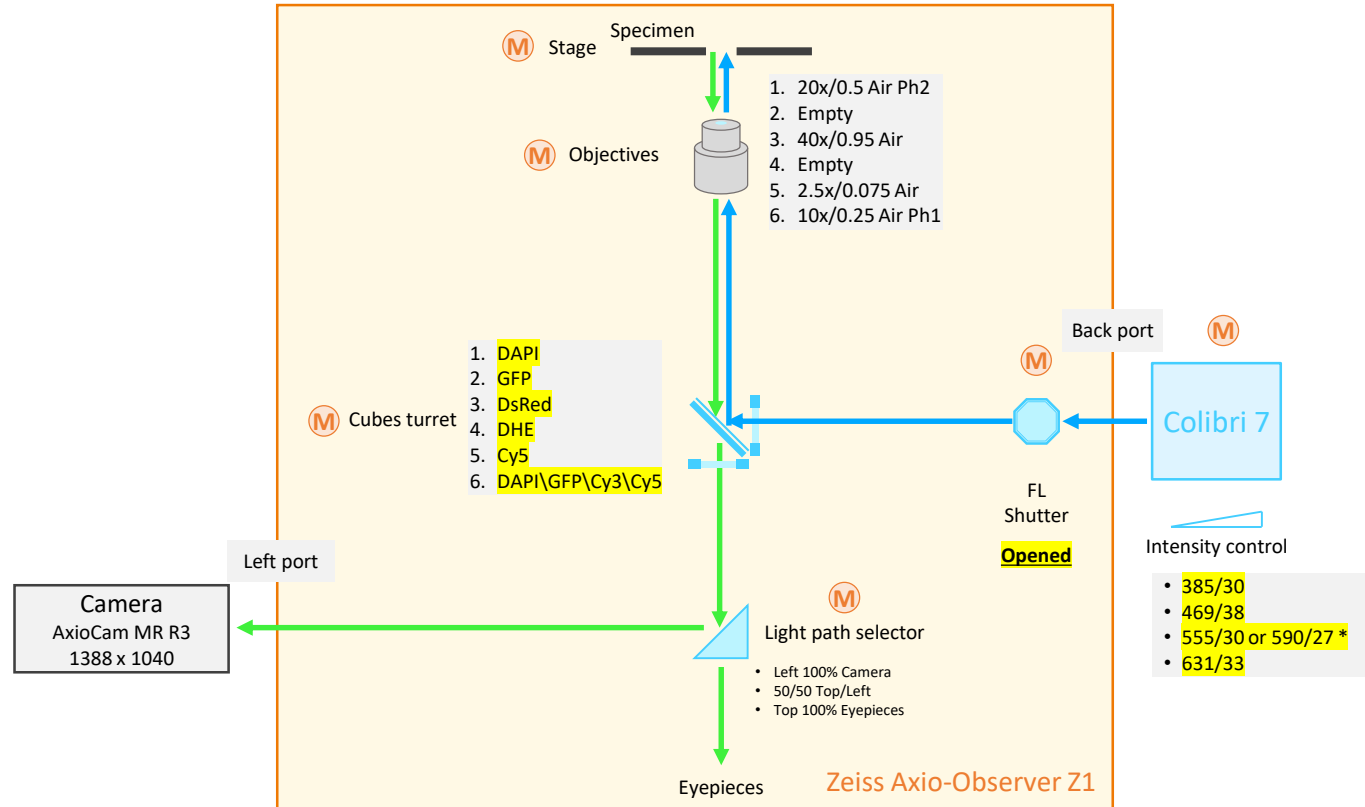


Zeiss Axio-Observer Z1 R-421

Reflected Light: Fluorescence



Legend

→ Excitation Light

→ Emission Light

(M) Motorized component

(H) Manual component

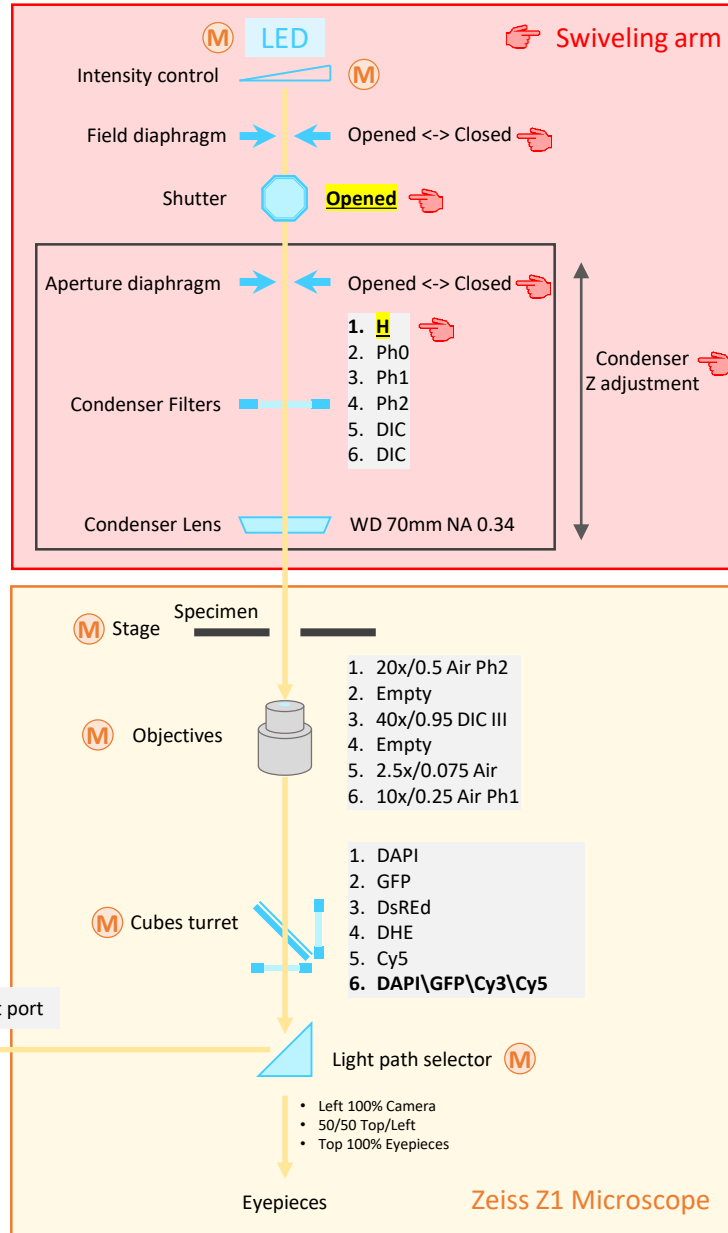
Required element

Optional element

* Requires manual filter change

Zeiss Axio-Observer Z1 R-421

Transmitted Light: Bright field

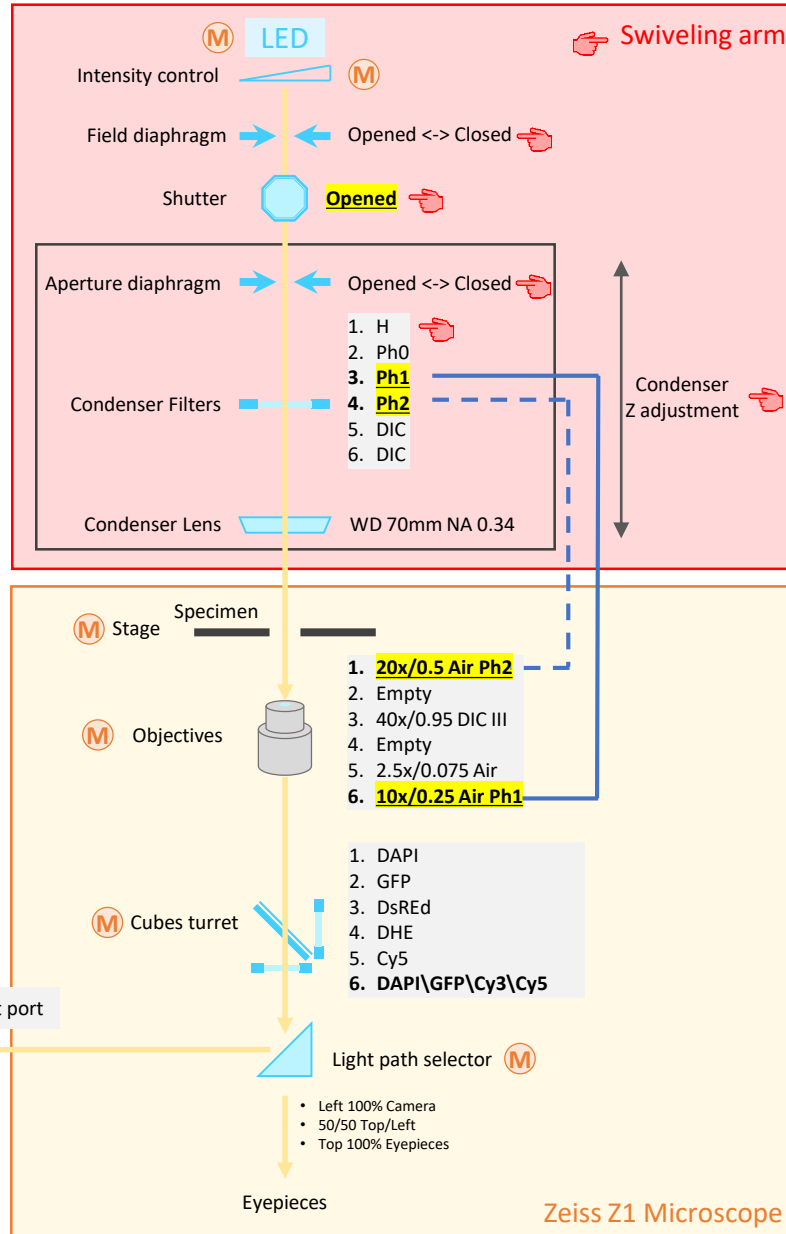


Legend

- Light path
- Motorized component
- Manual component
- Required element**
- Optional element

Zeiss Axio-Observer Z1 R-421

Transmitted Light: Phase Contrast



Legend

- Light path
- Paired components
- Motorized component
- Manual component
- Required element**
- Optional element**