

OLYMPUS®

INSTRUCTIONS

DP80

MICROSCOPE DIGITAL CAMERA

This instruction manual is for the Olympus microscope digital camera DP80. To ensure the safety, obtain optimum performance and familiarize yourself fully with the use of this camera, we recommend that you study this manual thoroughly before operating the camera.

For image operations including recording, editing and saving, please refer to the online manual for the cellSens Software.

Retain this instruction manual in an easily accessible place near the work desk for future reference.

Optical Microscope Accessory



AX8219

This product is applied with the requirements of standard IEC/EN61326-1 concerning electromagnetic compatibility.
- Immunity Applied to industrial and basic environment requirements.



In accordance with European Directive on Waste Electrical and Electronic Equipment, this symbol indicates that the product must not be disposed of as unsorted municipal waste, but should be collected separately.
Refer to your local Olympus distributor in EU for return and/or collection systems available in your country.

NOTE: This product has been tested and found to comply with the limits for a Class A digital device, pursuant to Part 15 of the FCC Rules. These limits are designed to provide reasonable protection against harmful interference when the product is operated in a commercial environment. This product generates, uses, and can radiate radio frequency energy and, if not installed and used in accordance with the instruction manual, may cause harmful interference to radio communications. Operation of this product in a residential area is likely to cause harmful interference in which case the user will be required to correct the interference at his own expense.

FCC WARNING: Changes or modifications not expressly approved by the party responsible for compliance could void the user's authority to operate the product.

For Korea only

B급 기기 (가정용 방송통신기자재)

이 기기는 가정용(B급) 전자파적합기기로서 주로 가정에서 사용하는 것을 목적으로 하며, 모든 지역에서 사용할 수 있습니다.

IMPORTANT – Be sure to read this section for safe use of the equipment. – 1-16

- 1** Intended use..... 7
- 2** Conformity of the System..... 7
- 3** Handling Precautions..... 14
- 4** Maintenance and Storage..... 15

1 SYSTEM CHART 16

2 NOMENCLATURE 17

3 HARDWARE INSTALLATION 19

- 3-1 Installing the Camera Head 19
- 3-2 Installing the PCIe Interface Board to Desktop PC (DP80 / DP80WDR)..... 21
 - 1** Installing the Low-Profile Bracket..... 21
 - 2** Installing the PCIe Interface Board 22

3

Connecting the Interface Cable 24

3-3 Connecting the External Trigger Cable 25

4 SOFTWARE INSTALLATION..... 26

5 IMAGE ACQUISITION PROCEDURE 27

6 EXTERNAL TRIGGERING..... 29

7 SPECIFICATIONS 31

8 TROUBLESHOOTING GUIDE 36

■ PROPER SELECTION OF THE POWER SUPPLY CORD53-56

IMPORTANT

The microscope digital camera DP80 is designed to be connected to a camera adapter mounted on an Olympus UIS2/UIS series of optical microscope (not applicable to the LB series) for use in recording of microscopic magnified images at high speed and highest resolution while maintaining high picture quality and high color reproduction. The DP80 incorporates a variety of functions for supporting image recording under optimum conditions.

When the microscope digital camera DP80 is used with a camera adapter or a microscope from a manufacturer other than Olympus, the optical performance may not be manifested fully.

If the equipment is used in a manner not specified by this manual, the safety of the user may be endangered. In addition, the equipment may also be damaged. Always use the equipment as outlined in this instruction manual.

The following symbols are used to set off text in this instruction manual.

CAUTION : Indicates a potentially hazardous situation which, if not avoided, may result in minor or moderate injury or damage to the equipment or other property. It may also be used to alert against unsafe practices.

© : Indicates commentary (for ease of operation and maintenance).

Caution on Image Data Storage

The recorded image data may be lost (destroyed) in the following cases. Note that Olympus will not assume any liabilities for the loss (destruction) of recorded data. The image data may also be destroyed by an unexpected cause. It is recommended to back up the data periodically.

- When the user or a third party services repairs the equipment.
- When the PC is shut down, the AC adapter is disconnected or the power cord is unplugged during recording or erasure (formatting) of the PC.
- In case when continuing to save the data for the period exceeding the life time of data storage of USB memory, (approx. 1 to several years).
- When the equipment fails.


Please note if following cases may occur though the camera is working properly, the image restoration or the compensation for damages are not guaranteed.

- The image is abnormal.
 - File properties e.g. file names, file time, etc. are abnormal.
 - The image is lost.
- ◎ In general, as the data retention lifetime is set in the electronic memory media, e.g. USB memory, HDD, CD-R, DVD-R, etc., the saved files may be lost after several years.
- ◎ The image data may disappear (be destroyed) unexpectedly. Be sure to backup the data on regular base.
- ◎ Make sure that there is no problem when acquiring the subjects before acquisition. Please note that even though the problem may occur caused by the acquired images, Olympus will not be responsible for these problems.

SAFETY PRECAUTIONS



Safety Symbols

The following symbols are found on the microscope. Study the meaning of the symbols and always use the equipment in the safest possible manner.

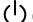
| Symbol | Explanation |
|---|---|
|  | Indicates a non-specific general hazard. Follow the description given after this symbol or in the instruction manual. |

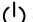
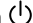
Caution labels

Caution labels are placed at parts where special precaution is required when handling and using the microscope. Always pay attentions to the caution labels.

| | | |
|-----------------------------|-------------------------|---|
| Positions of caution labels | Rear of the camera head |  |
| | PCIe interface board |  |

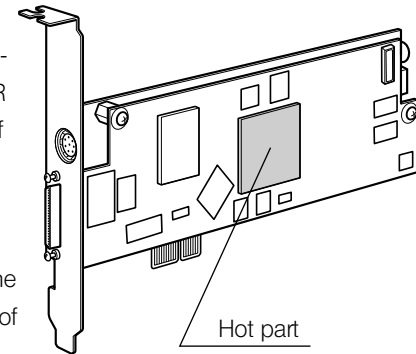
If the caution label becomes dirty or is peeled off, contact Olympus for replacement.

CAUTION Never connect or disconnect the interface cable while the standby switch  of the PC is set to ON. Otherwise, malfunction may result.

1. Before connecting or disconnecting the interface cable, make sure that the standby switch  of the PC is set to OFF. When connecting the interface cable, push in the connector all the way and ensure that the connector will not slip out before setting the standby switch  to ON. Do not move the PC or apply an impact to it while it is powered ON.
2. The cords and interface cables are vulnerable to bends or twists. Do not apply excessive force to them.
3. To prevent the microscope from toppling down, avoid using microscope attachments that may make the total height of the microscope above 1 meter when they are attached.
4. When installing the PCIe interface board, be sure to hold it by the edge. Never touch the board surface directly, as this will lead to malfunction.

⚠ The area (IC) of the PCIe interface board becomes very hot during and immediately after use of the camera. Be careful never to touch them during and after use.

5. For handling the PC, refer to the separately provided "PC User's Manual".
6. Always use the power cord provided by Olympus. If no power cord is provided, please select the proper power cord by referring to the section "PROPER SELECTION OF THE POWER CORD" at the end of this instruction manual. If the proper power cord is not used, the safety and EMC performance of the device can not be assured.
7. Always connect the power cord correctly and ensure that the grounding terminal of the device and that of the wall outlet are properly connected. If the device is not grounded, our intended electric safety and EMC performance of the device can not be assured.
8. When installing the DP80, route the power cord away from the lamp house of the microscope. Should the power cord come in contact with a hot part, the power cord could melt and cause electric shock.
9. After operation or in case of abnormality, be sure to disconnect the power cord from the connector on the product or from the outlet.
10. Do not permit tools or metal fragments to get into air vents, or other apertures. Doing so could cause failure of the PCIe extension box or electric shock to the user.





PC and Software

CAUTION

The PC data may be destroyed by an unexpected event. Be sure to keep a backup of the data.

1. Olympus will not assume any liabilities for any damage incurred due to the use or non-usability of this system, including compensation for the lost data.
2. The PC used with this system should set up and run Microsoft Windows 7 Professional or Ultimate.
For the OS in the PC, the user is requested to create a backup and retain it carefully. (Olympus does not support the matters related to the OS including its backup.)
For details on the PC and Microsoft Windows 7, refer to their respective manuals.
3. Olympus guarantees the quality of this product in the factory shipment condition.
Olympus will not assume any liabilities for operation errors and functional faults incurred due to the alteration of the environmental setup (including BIOS change), installation of other software or addition of hardware to the PC by the user.
4. When the HDD free space reduces, the data processing speed may slow extremely or errors may occur frequently.
To prevent this, delete unnecessary data files frequently. For how to delete data files, refer to the manuals for Microsoft Windows 7.
5. Never attempt to delete or rename the folders and files installed by the provided installer software. Otherwise, the software may get unable to be started up.
6. Do not open the housing of the PC and touch the power supply or the circuit board's heat generating section right after use as it may burn your hand. Wait until the internal temperature drops sufficiently.
7. Sharp edges inside the PC may cut your fingers, so take extra care.
8. Use a PC that complies with the safety standards of your country.

1 Intended use

This device is intended to be used for the capture of digital images, but not for clinical diagnostic purposes.

2 Conformity of the System

Restrictions in Use

1. The applicable camera adapters are the U-TV0.63XB, MVX-TV1XB, and the combination of U-TV1X-2 and U-BMAD.
2. When the DP80 is connected to the rear port of the U-DPT (double port tube) or U-MPH (multi port head), the peripheral part of the recorded image may be deteriorated due to the optical performance of the U-DPT or U-MPH.
3. When the U-TV0.63XB is used, using two or more intermediate attachments* may obscure the peripheral part of the field of view or may make flare noticeable.

* Example of two intermediate attachments with BX microscope:

Reflected light illuminator + intermediate attachment equivalent to the U-CA

4. Under fluorescent ring illumination or other AC-driven illumination such as a phase control light intensity adjusting illumination system, the following phenomena may be observed by illumination light flickering because of high light intensity and shortened exposure time :

- Flickering of the displayed image.
- Instability in exposure.
- Hatching patterns in pixel shift recording (4080 x 3072 or 2040 x 1536 pixels).

However, provided that the brightness can be adjusted using the light intensity control knob or ND filters, the above phenomena may be attenuated by adjusting the brightness so that the exposure time exceeds 1/50 sec.

For details on the microscope models using AC-driven illumination, contact Olympus.

5. Combinations of this product and non-Olympus microscopes have not been evaluated extensively. Non-Olympus microscopes and commercially available B4-mount (2/3 inch bayonet mount lens) lenses can be used provided that they match a CCD with a size of no less than 2/3 inch. However, problems due to optical adaptability, such as shading, may be observed.
6. When the specimen has a low contrast (near transparent) or high reflectance (mirror status) and the aperture iris diaphragm is stopped down near the smallest aperture, spot flare may be noticeable.
7. When a low-power objective (below 4X) is used, the peripheral part of the field of view may be obscured. In this case, use an ultralow-magnification condenser (U-ULC-2).
8. When the U-CFU (real time confocal unit) is used, it is required to set the exposure to a longer period than 1/30 sec. using the manual exposure mode and control the brightness by engaging or disengaging ND filters.
9. When the specimen has large difference in brightness, particularly when the bright part of the specimen comes on the upper part of the image, red and horizontal flare may be observed. It is noticeable when the AS is being closed. The flare will get unnoticeable when the AS is being opened, though the flare may not be completely removed.

10. During image acquisition with pixel shifting (4080 x 3072 or 2040 x 1536 pixels), the image may be disturbed if the specimen is moved.
- 11 If the camera or microscope is vibrated during image acquisition with pixel shifting (4080 x 3072 or 2040 x 1536 pixels), the image will be disturbed. There are several causes for the vibration which are, the operation of keyboard/mouse on the same table where the microscope equipped with the camera is placed, vibration from the instrument equipped with air cooling fan, etc.

Operating Environment

Temperature: 10 to 35°C.

Humidity: max 80% (without condensation).

(See page 35 for details.)

Recommended Monitor Specifications

- A monitor with the 1280 x 1024 or larger full-color display capability.
- An Adobe RGB compatible monitor, provided that the camera head is used in the Adobe RGB mode.

| |
|--|
| Recommended PC Specifications – Desktop PC – |
|--|

1. PC requirements

| | PC/AT compatible |
|----------------|---|
| CPU | Intel Core i3 / Intel Core i5/ Intel Core i7 / Intel Xeon |
| RAM | 4 GB or more |
| HDD | Free space 1 GB or more |
| Graphic | PCI Express X16 VGA card with 1280 x 1024 or more and 32-bit color capability. On-board graphic also acceptable. |
| Extension slot | PCI Express Rev. 1.0a or later. Half-size or low-profile PCIe board compatible (106.7 mm x 174.6 mm) |
| OS | Windows 7 Professional/Ultimate (64 bit) Language: English or Japanese |
| Power | 250 W or more. (With CE marking) * There needs to be the FDD power cable, HDD (4-pin) power cable or SATA power cable which is not occupied. |

2. CPU

We do not guarantee performance if the PC uses a CPU other than or incompatible with Core series or uses a non-Intel chipset.

3. HDD free space

The HDD free space (the value 1GB or more in page 11) is the space that does not cause a special problem when the system is installed or run. The space required for saving an image file in the HDD is slightly more than 5.6 MB with a 1360 x 1024-pixel (24-bit) non-compressed image and slightly more than 50 MB with a 4080 x 3072-pixel (24-bit) non-compressed image. In consequence, the HDD should also provide a considerably large space for saving these image files.

When saving movies in the HDD stack, the space required for saving a movie is about 80 MB (max.) per second. The movie recording time is limited according to the HDD free space.

4. RAM

If a RAM other than a PC2700 or greater, dual-channel RAM is used, the full-size live frame rate may drop.

5. Monitor

Use an Adobe RGB compatible monitor when using the camera head in the Adobe RGB mode.

Optimum color reproduction is not available if the sRGB/Adobe RGB setting of the camera head does not match the setting of the monitor.

6. Sequential connection of PCIe units

Up to two PCIe units including the DP80 and a PCI interface board of the DP73/DP72/DP71/DP70/DP30BW or FV1000 (FV10-ASW-V1.5 or later) can be connected in series. Series connection of the FV300/FV500 is not possible.

However, their simultaneous operation is not available so it is required to select either PCI interface operation.

7. Power supply

The PCIe interface board should be powered by connecting the FDD power supply connector from the ATX power supply in the PC.

If your PC does not have an available FDD power cable or the FDD power cable is too short, use the provided HDD (4-pin) to FDD power conversion cable for the power supply.

If your PC does not have an available HDD power cable (4-pin), use the provided SATA-to-HDD (4-pin) power conversion adapter and HDD (4-pin)-to-FDD power conversion cable for the power supply.

3

Handling Precautions

1. This camera head is a precision instrument. Handle it with care and avoid subjecting it to sudden or severe impact.
2. The image displayed on the monitor may be affected when it is used at a place close to equipment generating strong electromagnetic waves. This is not a malfunction and will not affect the actual image being recorded. To avoid interference during operation, keep the system far from any source of electromagnetic waves.
3. As the camera head is heavy, hold it carefully not to drop when mounting or storing.
4. Do not use the camera in areas where it may be subjected to direct sunlight, high temperature/humidity, dust, or vibrations.
5. The camera head needs to be calibrated periodically (approx. every 3 months) for the level variations caused by the influence of cosmic rays. For the calibration method, refer to the CCD Calibration in the online manual for the cellSens software. CCD Calibration is required for each Color/Monochrome CCD.
6. As a countermeasure against PC virus infection, it is recommended to install an anti-virus software on the PC. Operation speeds of the cellSens may slow down depending on the anti-virus software.
7. Install the controller not to block the vent hole equipped with it.
8. For operating the PC, refer to the instruction manual of the PC in use. Pay attention to the precautions and warnings, etc. in the manual.
9. If cables are connected incorrectly, the product may malfunction. Be sure that every unit is connected correctly before operating the product.

4

Maintenance and Storage

1. Do not leave stains or fingerprints on the lenses and filters. Blow away dust with a commercially available blower and gently wipe the lens or filter with a piece of cleaning paper (or clean gauze).
For wiping fingerprints and oil stains, use a piece of cleaning paper moistened with commercially available absolute alcohol.

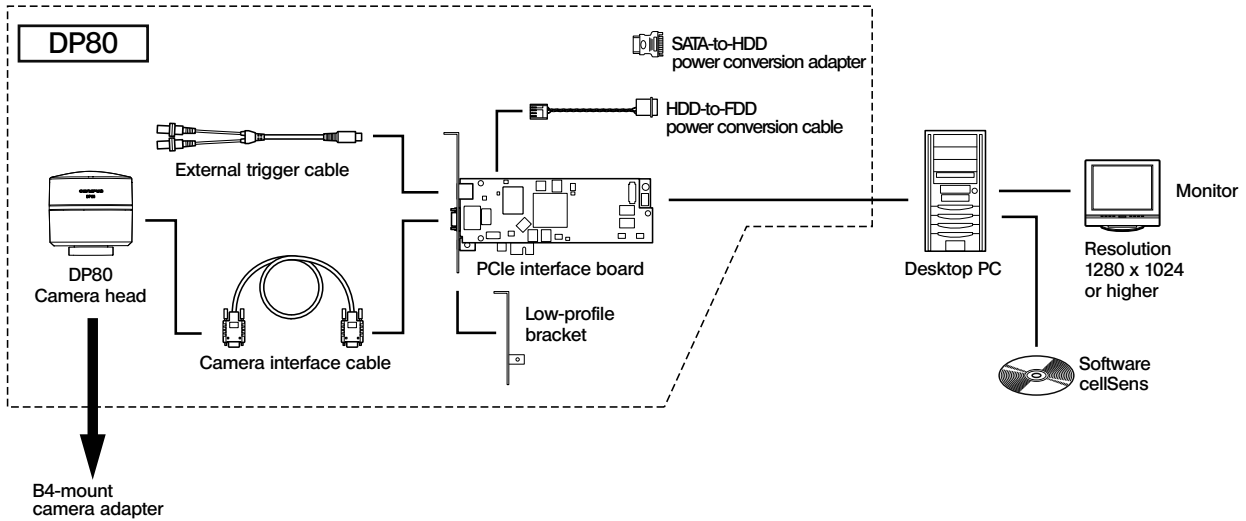
CAUTION

Since the absolute alcohol is highly flammable, it must be handled carefully. Be sure to keep it away from open flames or potential sources of electrical sparks --- for example, electrical equipment that is being switched on or off, which could cause ignition of a fire. Also remember to always use absolute alcohol only in a well-ventilated room.

2. Do not use organic solvents, which cause painted and plastic parts to deteriorate. Do not use organic solvents to clean the product components other than the glass components. To clean them, use a lint-free, soft cloth slightly moistened with a diluted neutral detergent.
3. Do not disassemble any part of the camera as this could result in malfunction or reduced performance.
4. When storing the camera, be careful not to scratch the protective glass which is built-in this camera
5. When the camera is stored, be sure to keep the B4-mount portion downward, since it tends to roll over.
6. Since the camera is a precision instrument incorporating lens components, be careful not to drop it during installation or storage to prevent its damage or human injury.
7. Before disposing of this product, be sure to follow the regulations and rules of your local government.

1

SYSTEM CHART



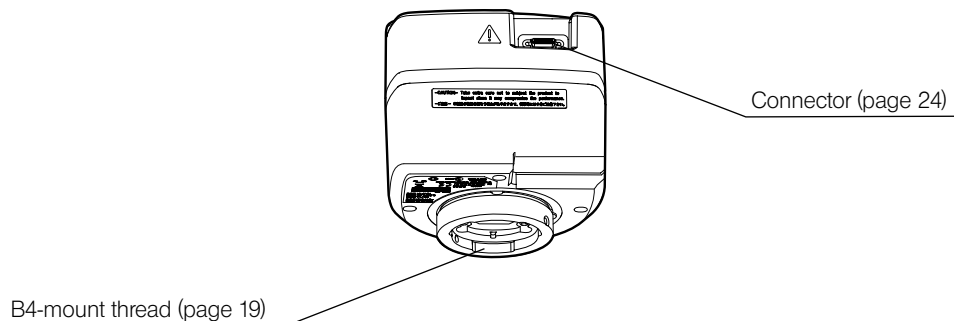
2 NOMENCLATURE

Camera Head

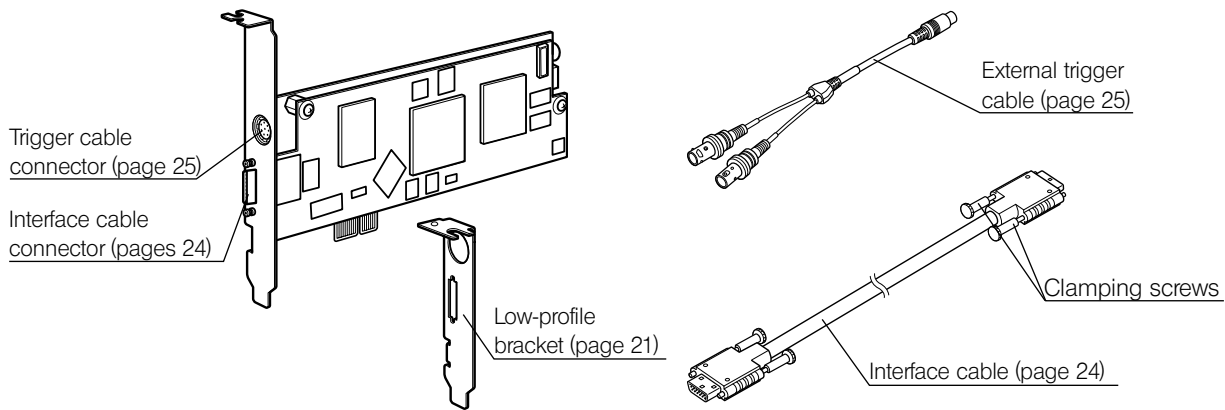
CAUTION

Any equipment connected to the camera head should be an Olympus-designated product or a product in compliance with the requirements of IEC60950 or CISPR22/24.

If equipment other than these products is connected, Olympus cannot guarantee any performance of the camera.

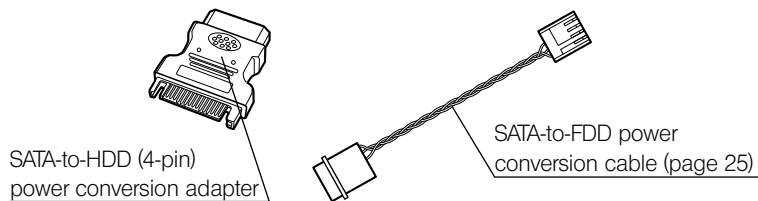
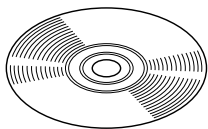


PCIe Interface Board (PCI standard half-size, low-profile size compatible)

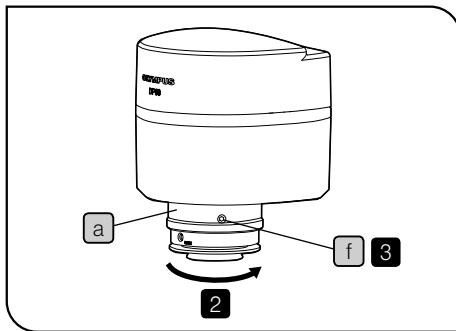
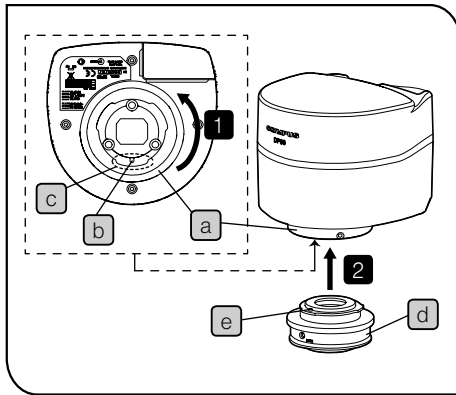


Software (DVD-ROM)

Software (optional)
cellSens



3-1 Installing the Camera Head

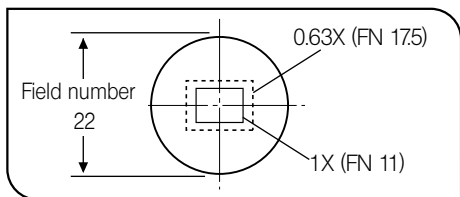


CAUTION The camera head and camera adapter are precision modules. Be careful not to drop them during attaching or detaching.

When you attach/detach the camera, be sure to keep placing it on the stable table or desk.

© The following procedure deals with the case using the U-TV0.63XB B4-mount camera adapter.

- 1 Rotate the adapter mounting area **a** under the camera head in the arrow direction to loose it sufficiently, and adjust it so that the positioning groove **b** comes roughly in the center of the notch **c**.
- 2 Fit the positioning pin **e** of the camera adapter U-TV0.63XB **d** with the positioning groove **b** of the camera head, and push the camera adapter toward the camera head. Then, while securing the camera adapter **d** with your hand, rotate the adapter mounting area **a** under the camera head in the arrow direction to fix the camera adapter temporarily.
- 3 Tighten the mounting screw **f** of the camera head with the provided Allen screwdriver to fix it completely.
- 4 Attach the camera adapter to the camera port of the microscope.



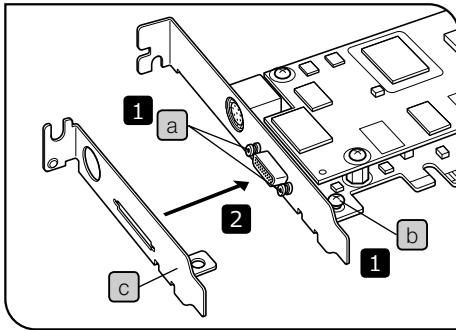
- Ⓢ If the camera is attached in a wrong direction, the direction of the image observed through the eyepiece does not match with the direction of the image through the camera. After the camera is installed, compare the image observed through the eyepiece to the live image acquired by the camera, and rotate the camera adapter accordingly to match these images.
- Ⓢ The acquired field is as shown in the left figure.
If a B4-mount camera adapter from other manufacturer than Olympus is used, the optical performance of the system may not be manifested fully.
- Ⓢ The view field range illustrated in left figure is just a guide. Check the actual view field range by observing the specimen equipped with a scaling function, etc. before use.

CAUTION

Be sure to adjust the parfocality between the B4-mount camera adapter and the eyepieces. Otherwise, the image through the camera and the image through the eyepieces are not parfocal. For the parfocality adjustment method, refer to the instruction manual for the camera adapter in use.

3-2 Installing the PCIe Interface Board to Desktop PC

Please read this section when connecting DP80 to desktop PC.



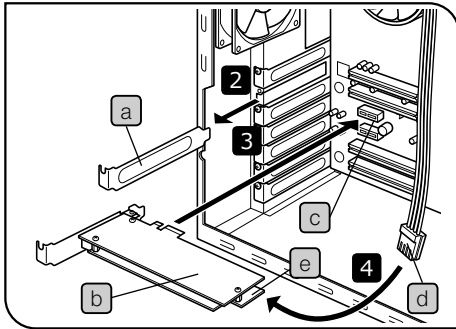
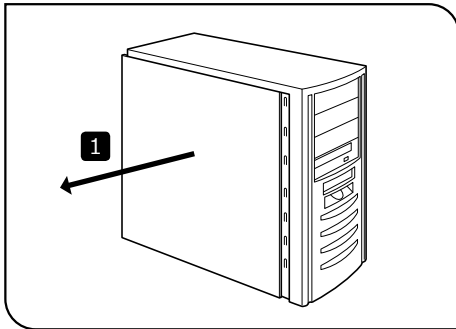
1 Installing the Low-Profile Bracket

If the desktop PC's extension slot is the low-profile specifications, it is required to replace the existing bracket with a low-profile bracket.

- 1 Prepare a flat-blade and a Phillips screwdriver and remove the “-” screws **a** and the “+” screw **b**.
- 2 Replace the existing bracket with the low-profile bracket **c** and attach the screws **a** **b**.

CAUTION

Do not provide excessive force when tightening the screws of the PCIe interface board, since they may be damaged if tightened excessively.



2 Installing the PCIe Interface Board

CAUTION

- Before installing the PCIe interface board in the PC, be sure to read the instruction manual for the PC in order not to damage it.
- Be sure to turn off the PC and peripherals and unplug their power cords before installing the PCIe interface board.
- To avoid damage due to static electricity, touch an unpainted metallic surface of the PC with your hand to discharge the static electricity before installation.
- The SATA-to-HDD (4-pin) power conversion adapter is sensitive to excessive force. Please handle it with care.
- Be careful not to cut your fingers at sharp parts within the PC.

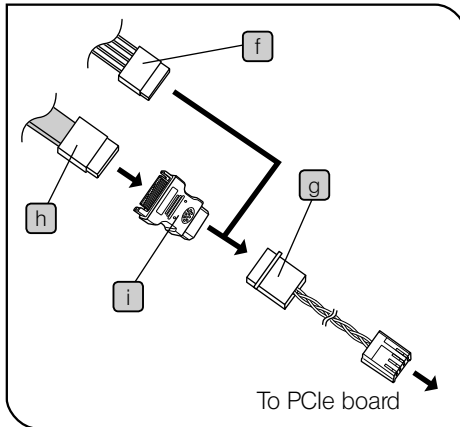
1 Open the housing of the desktop PC.

Ⓞ For removing the cover, refer to the Instruction Manual of the PC.

2 Remove the slot cover **a** of an unused PCIe slot on the motherboard.

3 Insert the PCIe interface board **b** to the connector **c** of the desktop PC carefully without touching the board surface directly by hand.

4 Connect the FDD power cable **d** from the PC's power supply to the power connector **e** on the PCIe interface board **b**.



When the FDD power cable is not available (or if it is not long enough)

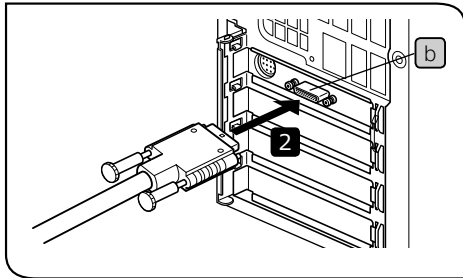
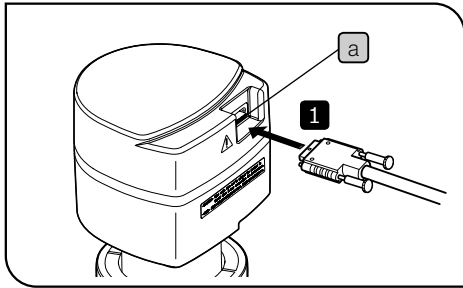
- ① Connect the HDD (4 pin)-FDD power conversion cable **g** to the HDD power cable (4 pin) **f** of the PC.
- ② Insert the cable described in ① to the power connector **e** on the PCIe I/F board **b**.

When both FDD power cable and HDD power cable are not available

- ① Connect the SATA-HDD (4 pin) power conversion adapter **i** provided with this product to the SATA power cable **h** of the PC.
- ② Connect the HDD (4 pin)-FDD power conversion cable **g** to the cable described in ①.
- ③ Insert the cable described in ② to the power connector **e** on the PCIe I/F board **b**.

Ⓞ Be sure to insert the cable connector firmly as far as it will go.

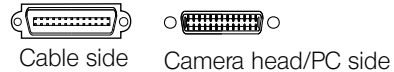
- 5** Close the housing of the desktop PC.



3 Connecting the Interface Cable

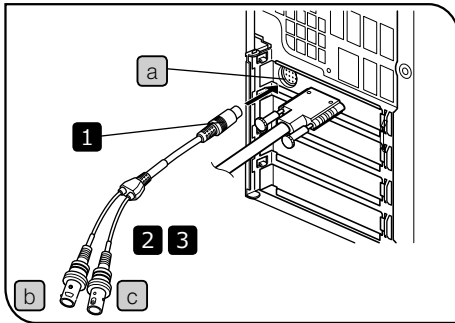
CAUTION

- The cords and cables are vulnerable to bend or twist. Do not apply excessive force to them.
- Be sure to switch off the PC before proceeding to the connections.
- Always use the cables designated by Olympus.
- When connecting the cable, insert the connector plug in the proper direction.
- Keep the cables well away from the equipments generating high heats, such as the lamp housing of the microscope.



- 1 Insert the connector of the interface cable all the way into the connector **a** of the camera head and secure the clamping screws on both sides of the connector, and check that the interface cable will not slip out.
- 2 Insert the connector of the interface cable all the way into the connector **b** of the desktop PC and secure the clamping screws on both sides of the connector, and check that the interface cable will not slip out.

3-3 Connecting the External Trigger Cable



Ⓞ Please read this section only when you use the external trigger function. If you will not use the external trigger function, it is not necessary to connect the external trigger cable. For the external trigger function, refer to “6. EXTERNAL TRIGGERING” (p. 29).

- 1 Insert the connector of the external trigger cable to the connector **a** on the PCIe interface board in the desktop PC or the PCIe extension box.
- 2 When using the trigger input, connect the red cable (marked “I”) **b** to the BNC connector.
- 3 When using the trigger output, connect the white cable (marked “O”) **c** to the BNC connector.

CAUTION

The external triggering is available only when the cellSens software is run.

4 SOFTWARE INSTALLATION

Software cellSens

Install the software cellSens by referring to the cellSens instruction manual.

Before Installation (Applicable OS: Windows® 7)

- Quit all running applications before installing cellSens.
- The software cannot be installed unless the user account is registered as “Computer administrator.”
If the user account is registered as a “Restricted account,” change it to the “Computer administrator” account.
(For the user account registration, refer to the instruction manuals for your PC.)

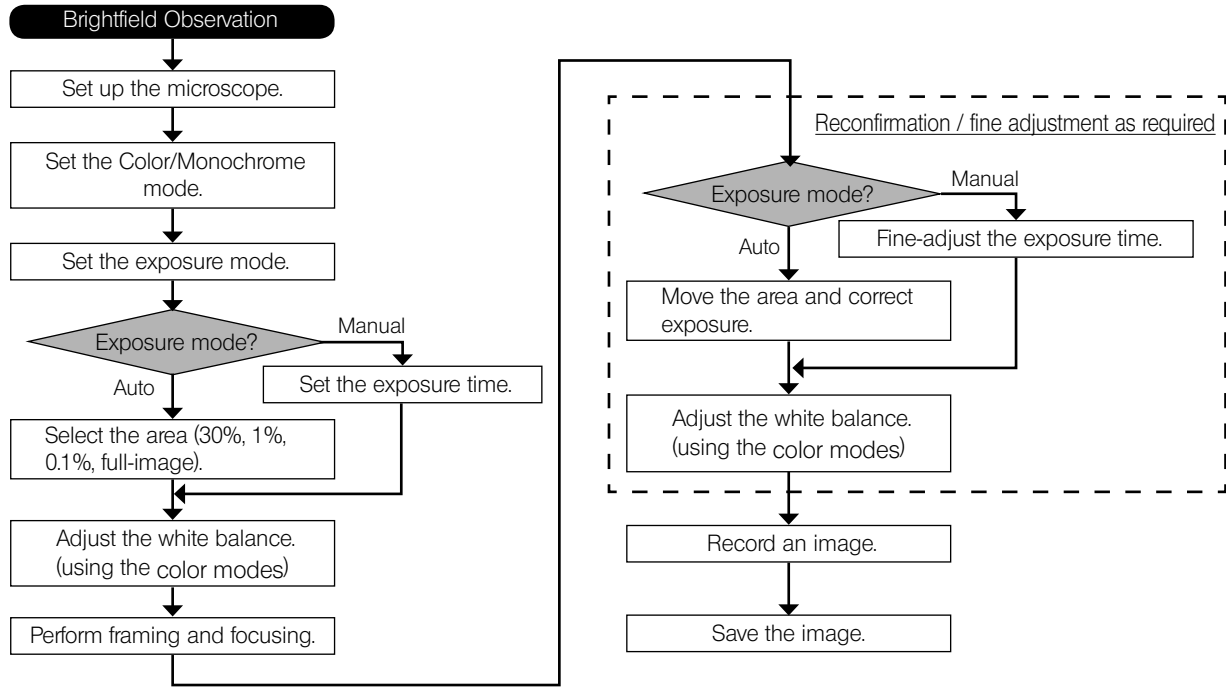
Trademark Information

Windows is a registered trademark of Microsoft Corporation.

All other brand and product names are trademarks or registered trademarks of their respective owners.

5 IMAGE ACQUISITION PROCEDURE

For the details, refer to the Instruction Manual or Help of the software you will use.



Fluorescence Observation

Set up the microscope.

Set the Color/Monochrome mode.

Set the exposure mode.

Exposure mode?

SFL Auto

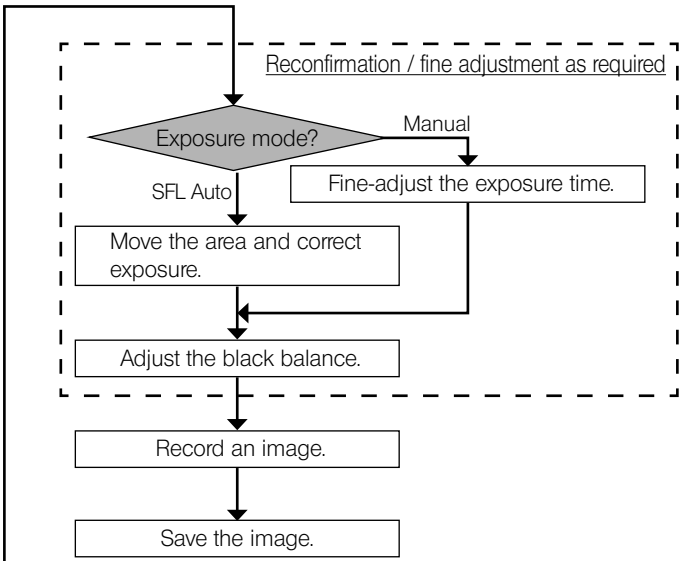
Manual

Set the exposure time.

Select the area (30%, 1%, 0.1%, full-image).

Adjust the black balance.

Perform framing and focusing.

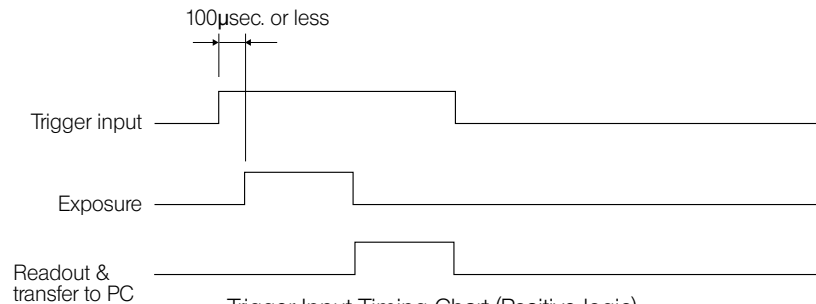


- © When the cellSens software is used, the DP80 can record still images or control a commercially available shutter based on an external trigger signal.

Trigger Input

- The trigger input from external equipment can be used to start still image acquisition using the cellSens.
- The trigger input is detected at the edge and the cellSens starts to acquire the images based on the preset exposure time. The positive and negative logics can be switched with the cellSens.
- Set the exposure time at least 50 μsec at the time of the trigger input.
- The exposure is started within 100 μsec after the trigger input.
- The trigger input is a TTL compatible signal.

V_{IH}: 2.0 V (min.). V_{IL}: 0.8 V (max.).

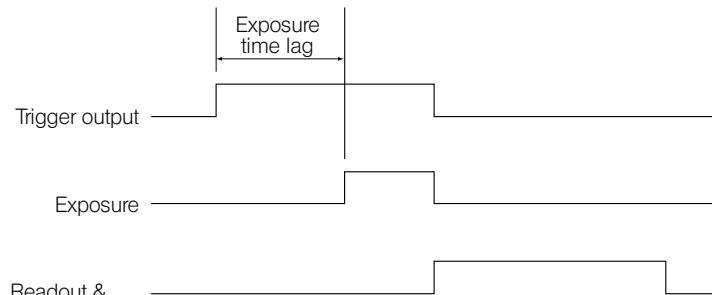


Trigger Input Timing Chart (Positive logic)

Trigger Output

- The trigger output can be used to control a commercially available shutter.
- The positive and negative logics of the trigger output can be switched with the cellSens.
- The trigger output is interlocked with the shutter release/close operations of the cellSens.
- The external trigger signal is output by starting still image acquisition when the shutter is closed.
- The time lag from the trigger output to the start of exposure can be set between 0 and 2 sec. on the cellSens.
- The trigger output is a TTL compatible signal.

VOH: 2.4 V (min.), VOL: 0.4 V (max).



Trigger Output Timing Chart in Still Image Recording (Positive logic)

7 SPECIFICATIONS

DP80 Specifications

| Item | | Specifications |
|---------------------|---------------------|---|
| Camera type | | Double-CCD color camera Pixel shifting type (only for color CCD) |
| Image pickup device | | [Color] 2/3 inch 1.45 mega pixels color CCD RGB colors on chip filter (Bayer pattern) [Monochrome] 2/3 inch 1.45 mega pixels monochrome CCD Progressive scan |
| Cooling | | Peltier device Natural air cooling CCD temperature: room temperature - 10 °C (max) |
| Camera mount | | B4 mount (2/3 inch Bayonet mount) |
| Exposure control | Exposure modes | Auto SFL-Auto Manual |
| | AE lock | Available |
| | AE pause | Available |
| | Exposure correction | ±2.0 EV step: 1/3 EV |
| | Metering area | Full image 30 % 1 % 0.1 % The metering area is freely movable. |

| Item | | Specifications |
|--|----------------------|---|
| Exposure time | | 23 μ sec to 60 sec |
| Binning | | 2 x 2 4 x 4 |
| Live frame rate (Values are variable depending on the exposure time setting and the PC operating situations.) | | 1360 x 1024 (1x1) : 15fps 680 x 512 (1x1) : 15fps 680 x 510 (2x2) : 29fps 340 x 250 (4x4) : 57fps |
| Color | Recorded image sizes | [Centering OFF] 4080 x 3072 (Pixel shift) 2040 x 1536 (Pixel shift) 1360 x 1024 (1x1) 680 x 512 (1x1) 680 x 510 (2x2) 340 x 250 (4x4) |
| | | [Centering ON]* 3648 x 2736 (Pixel shift) 1824 x 1368 (Pixel shift) 1216 x 912 (1x1) 608 x 456 (1x1) 608 x 456 (2x2) 304 x 228 (4x4) |
| | ISO speed | ISO200/400/800/1600 equivalent |
| | A/D | 14 bit (Effective bits in 16 bit mode image: 12 bit) |
| | White balance modes | Area-specified auto Manual |

| Item | Specifications | |
|------------|---------------------------|---|
| | Color space | sRGB AdobeRGB |
| | Contrast modes | Low Standard High Linear |
| | Sharpness filter | None Low Standard High 1 / High 2 |
| | Pixel shift bleaching | Available |
| Monochrome | Recorded image sizes | [Centering OFF] 1360 x 1024 (1x1) 680 x 512 (1x1) 680 x 510 (2x2) 340 x 250 (4x4) |
| | | [Centering ON]* 1216 x 912 (1x1) 608 x 456 (1x1) 608 x 456 (2x2) 304 x 228 (4x4) |
| | Gain | x 0.5/x 1/x 2/x 4/x 8/x 6 |
| | A/D | 14bit (Effective bits in 16 bit mode image: 14 bit) |
| | Full well capacity (typ.) | 17000e- (Gain 0.5 x) |
| | Readout noise (typ.) | 7e- |

| Item | | Specifications |
|--|---------------------------|---|
| | Dynamic range (typ.) | 2300:1 (Gain 0.5 x) |
| | Quantum efficiency (typ.) | 55 % (500 nm) |
| | Dark current (typ.) | 0.4 e-/pixel/s (Ta =25 °C) |
| External triggering (It can be set from the cellSens) | | Input: Random trigger input (Edge trigger mode) Output: Trigger output With exposure time lag (0 to 2 sec. in 10 msec. steps) TTL compatible |
| Black balance modes | | Area-specified auto Manual |
| Focus indicator | | Contrast bar Line profile |
| Image file format | | File formats supported by cellSens software |
| Preview quality modes | | Standard / Medium / High |
| OS | | Windows7 Professional / Ultimate (64 bit) |
| Rating | Camera head | 6 V/1 A , 3.6 V/1.2 A , 12 V/1 A 16 V/0.3 A , -8 V/0.4 A |
| | PCIe interface board | 3.3 V / 2.2 A , 5.0 V / 1.2 A , 12 V / 0.5 A |

* "Centering" is the function to align the positions of the color image and the monochrome

| Item | | Specifications |
|-----------------------|------------------------|--|
| Dimensions & weight | 〈DP80〉 | |
| | Camera head | 133(W) x 130(D) x 139(H) mm (excluding projections), approx. 2500 g |
| | PCIe interface board | 181(W) x 121(D) x 21.6(H) mm (excluding projections), approx. 200 g |
| | Interface cable | Approx. 2.8 meters |
| | External trigger cable | Approx. 0.2 meter |
| Storage environment | | -20 to 60 °C 10% to 90% (without condensation) |
| Operating environment | | <ul style="list-style-type: none"> • Indoor use. • Altitude: max. 2000 meters • Ambient temperature: 10 to 35 °C (50 to 95 °F) • Relative humidity: max 80% (without condensation) • Supply voltage fluctuations; ±10%. • Pollution degree: 2 (in accordance with IEC60664-1) • Installation/Overvoltage category: II (in accordance with IEC60664-1) |

8 TROUBLESHOOTING GUIDE

Under certain conditions, the performance of the camera may be adversely affected by factors other than defects. If problems occur, please review the following list and take remedial action as needed. If you cannot solve the problem after checking the entire list, please contact Olympus for assistance.

| Problem | Cause | Remedy | Page |
|---------------------------------|---|--|-----------------|
| The software will not start up. | The camera and PC are connected improperly. | Connect the camera head and PC properly. | 24 |
| | The PCIe interface board is installed improperly. | Install the PCIe interface board properly. | 22 |
| | The software is installed improperly. | Install the software. | 26 |
| Live image is not displayed. | The camera and PC are connected improperly. | Connect the camera head and PC properly. | 24 |
| | The microscope illumination is off. The microscope is not set to the camera light path. The illumination or specimen focusing is adjusted improperly. | Turn on the microscope illumination, adjust the lighting and focusing correctly, and select the camera light path. | - |
| | The ISO speed or exposure time is set improperly. | Set the ISO speed, exposure mode, exposure time and level properly. | (Online manual) |

| Problem | Cause | Remedy | Page |
|----------------------------------|---|--|-----------------|
| Still images cannot be recorded. | The camera and PC are connected improperly. | Connect the camera head and PC properly. | 24 |
| | The cellSens is processing recording. | Wait until the recording processing completes before starting recording of the next image. In certain cases, it may be required to press the Cancel button on the status bar and record the image again. | (Online manual) |
| | The cellSens is processing file save, etc. | Wait until the processing completes before starting recording of the next image. | (Online manual) |
| | The PC memory is insufficient. | Exit from other software before retrying recording. | - |

| Problem | Cause | Remedy | Page |
|------------------------|--|---|-----------------|
| Picture is too bright. | Exposure correction is set in the + direction. | Return the exposure correction value to 0 and set the desired exposure correction value. | (Online manual) |
| | The metering area is set to a dark area outside the region of interest. | Move the metering area to the area where you want to obtain optimum exposure. | (Online manual) |
| | AE lock, which was set when the exposure time was longer than the currently required exposure time, is active. | Cancel AE lock. | (Online manual) |
| | The input highlight level adjustment is too low. | Reset the current level adjustment and adjust the optimum level again. | (Online manual) |
| | The microscope illumination is too bright. | Reduce the microscope illumination intensity or engage an ND filter to reduce brightness. | – |

| Problem | Cause | Remedy | Page |
|----------------------|---|--|-----------------|
| Picture is too dark. | Exposure correction is set in the – direction. | Return the exposure correction value to 0 and set the desired exposure correction value. | (Online manual) |
| | The metering area is set to a bright area outside the region of interest. | Move the metering area to the area where you want to obtain optimum exposure. | (Online manual) |
| | AE lock, which was set when the exposure time was shorter than the currently required exposure time, is active. | Cancel AE lock. | (Online manual) |
| | The output highlight level adjustment is too low. | Reset the current level adjustment and adjust the optimum level again. | (Online manual) |
| | The microscope illumination is too dark. | Increase the microscope illumination intensity or disengage the existing ND filter to increase brightness. | – |

| Problem | Cause | Remedy | Page |
|--|--|---|-----------------|
| The colors in the picture are strange. | The area selected in white balance adjustment was improper. | Select a white area with the rectangular white balance adjustment area. | (Online manual) |
| | The RGB balance is adjusted improperly in manual white balance adjustment. | Perform manual white balance adjustment to adjust the RGB color balance to obtain optimum colors. | (Online manual) |
| | The area selected in black balance adjustment was improper. | Select a black area with the rectangular black balance adjustment area. | (Online manual) |
| | The screen color setting of the PC is incorrect. | Set the PC display color to 24-bit color or higher. The recommended setting is 32-bit color. | - |
| | Color spaces (sRGB/AdobeRGB) of the camera and the monitor are different. | Set the Color space (sRGB/Adobe RGB) of the camera so that it becomes identical to that of the monitor. | (Online manual) |

| Problem | Cause | Remedy | Page |
|--|--|--|------|
| The picture is not in focus. | The specimen is not in focus properly. | Adjust the focus correctly with the fine adjustment knob. | – |
| | The aperture iris diaphragm of the condenser is open too wide. | Close the aperture iris diaphragm a little. | – |
| | The field iris diaphragm is not set properly. | Adjust the field iris diaphragm until the image circumscribes the field of view. | – |
| | Lens components of the microscope are contaminated or the cover glass on the front of the camera is stained. | Clean the objective, camera adapter lens, condenser and/or window lens of the microscope, or clean the cover glass on the bottom of the camera head. | 15 |
| | The microscope and/or camera are subjected to vibration during recording. | Acquire images in an environment in which the microscope and camera are not vibrated. It is effective to use an anti-vibration bench. | 9 |
| The 4080 x 3072 and 2040 x 1536 images are not neat. | The camera is subjected to vibration during recording. | Acquire images in an environment in which the microscope and camera are not vibrated. It is effective to use an anti-vibration bench. | 9 |

| Problem | Cause | Remedy | Page |
|---|---|--|-----------------|
| It is impossible to open the file correctly, by the software other than cellSens, in which the image acquired by 12bit color/14bit grey scale is saved. Or, the image in black color is displayed (including the icon on the window). | Effective data is low 12 bits/14bit out of 16 bits file format. However, your software does not accept 16 bits format or use high 8 bits for display. | Use cellSens to open the file. | - |
| The cellSens window is not displayed correctly or the menu characters are not displayed correctly. | The resolution setting of the screen is incorrect. | Set the resolution setting at 1280 x 1024 or more in the property of the screen. | - |
| | The large font has been selected for the font size of the screen. | Select a small font in the property of the screen. | - |
| External trigger signal is not output. | External triggering is not enabled. | Enable external triggering on the cellSens. | (Online manual) |
| Still image cannot be acquired using the external trigger input. | External triggering is not enabled. | Enable external triggering on the cellSens. | (Online manual) |
| The position misalignment of the color image and the monochrome image is noticeable. | The centering correction is OFF. | Set the centering correction ON. | (Online manual) |
| The white spot noise pixel is noticeable. | The Hot pixel correction is OFF. (only monochrome image) | Set the Hot pixel correction ON. (only monochrome image) | (Online manual) |

■ PROPER SELECTION OF THE POWER SUPPLY CORD

If no power supply cord is provided, please select the proper power supply cord for the equipment by referring to “Specifications” and “Certified Cord” below:













CAUTION In case you use a non-approved power supply cord for Olympus products, Olympus can no longer warrant the electrical safety of the equipment.

Specifications

| | |
|------------------------|--|
| Voltage Rating | 125 V AC (for 100-120 V AC area) or, 250 V AC (for 220-240 V AC area) |
| Current Rating | 6 A minimum |
| Temperature Rating | 60 °C minimum |
| Length | 3.05 m maximum |
| Fittings Configuration | Grounding type attachment plug cap. Opposite terminates in molded-on IEC configuration appliance coupling. |

Table 1 Certified Cord

A power supply cord should be certified by one of the agencies listed in Table 1, or comprised of cordage marked with an agency marking per Table 1 or marked per Table 2. The fittings are to be marked with at least one of the agencies listed in Table 1. In case you are unable to buy locally the power supply cord which is approved by one of the agencies mentioned in Table 1, please use replacements approved by any other equivalent and authorized agencies in your country.

| Country | Agency | Certification Mark | Country | Agency | Certification Mark |
|-----------|--------|---|-------------|-----------|---|
| Argentina | IRAM |  | Italy | IMQ |  |
| Australia | SAA |  | Japan | JET, JQA, |  |
| Austria | ÖVE |  | Netherlands | KEMA |  |
| Belgium | CEBEC |  | Norway | NEMKO |  |
| Canada | CSA |  | Spain | AEE |  |
| Denmark | DEMKO |  | Sweden | SEMKO |  |








| Country | Agency | Certification Mark | Country | Agency | Certification Mark |
|---------|--------|---|----------------|-------------|---|
| Finland | FEI |  | Switzerland | SEV |  |
| France | UTE |  | United Kingdom | ASTA BSI |  |
| Germany | VDE |  | USA. | UL |  |
| Ireland | NSAI |  | | | |

Table 2 HAR Flexible Cord

APPROVAL ORGANIZATIONS AND CORDAGE HARMONIZATION MARKING METHODS

| Approval Organization | Printed or Embossed Harmonization Marking (May be located on jacket or insulation of internal wiring) | | Alternative Marking Utilizing Black-Red-Yellow Thread (Length of color section in mm) | | |
|---|---|-------|---|-----|--------|
| | | | Black | Red | Yellow |
| Comite Electrotechnique Belge (CEBEC) | CEBEC | ⟨HAR⟩ | 10 | 30 | 10 |
| Verband Deutscher Elektrotechniker (VDE) e.V. Prüstelle | ⟨VDE⟩ | ⟨HAR⟩ | 30 | 10 | 10 |
| Union Technique de l'Electricite' (UTE) | USE | ⟨HAR⟩ | 30 | 10 | 30 |
| Instituto Italiano del Marchio di Qualita' (IMQ) | IEMMEQU | ⟨HAR⟩ | 10 | 30 | 50 |
| British Approvals Service for Electric Cables (BASEC) | BASEC | ⟨HAR⟩ | 10 | 10 | 30 |
| N.V. KEMA | KEMA-KEUR | ⟨HAR⟩ | 10 | 30 | 30 |
| SEMKO AB Svenska Elektriska Materielkontrollanstalter | SEMKO | ⟨HAR⟩ | 10 | 10 | 50 |

MEMO

MEMO

MEMO

MEMO

OLYMPUS®

www.olympus-global.com

Manufactured by

OLYMPUS CORPORATION

Shinjuku Monolith, 2-3-1 Nishi-Shinjuku, Shinjuku-ku, Tokyo 163-0914, Japan

Distributed by

OLYMPUS EUROPA SE & CO. KG

Wendenstrasse 14-18, 20097 Hamburg, Germany

OLYMPUS SCIENTIFIC SOLUTIONS AMERICAS CORP.

48 Woerd Avenue Waltham, MA 02453, U.S.A.

OLYMPUS SINGAPORE PTE LTD

491B River Valley Road, #12-01/04 Valley Point Office Tower, Singapore 248373

OLYMPUS AUSTRALIA PTY. LTD.

3 Acacia Place, Notting Hill VIC 3168, Australia

OLYMPUS LATIN AMERICA, INC.

5301 Blue Lagoon Drive, Suite 290 Miami, FL 33126, U.S.A.

OLYMPUS KOREA CO., LTD.

8F Olympus Tower, 446 Bongeunsa-ro, Gangnam-gu, Seoul, 06153 Korea

