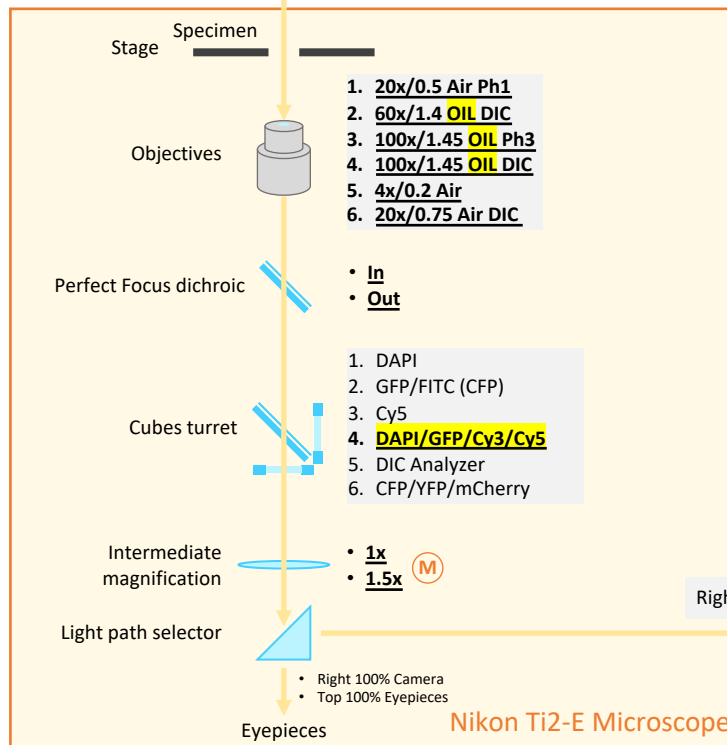
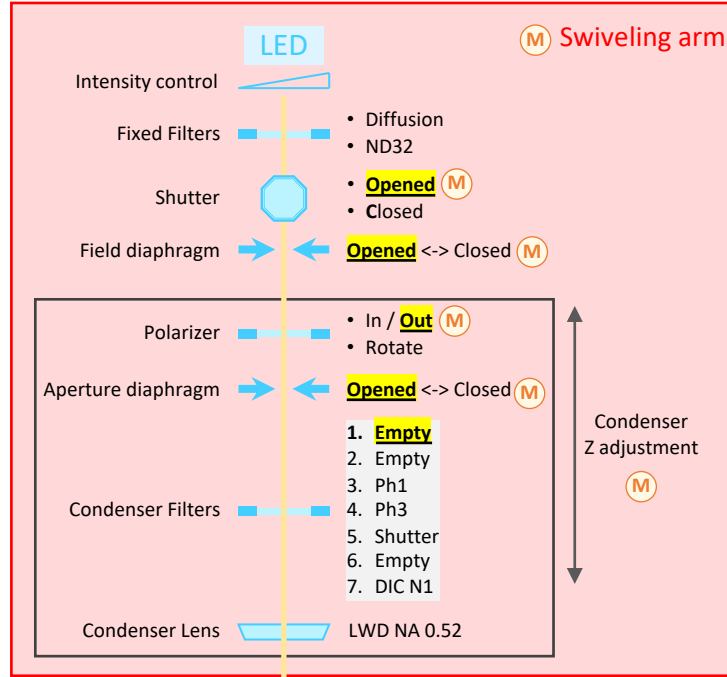


Nikon Ti2 R-619

Bright-Field



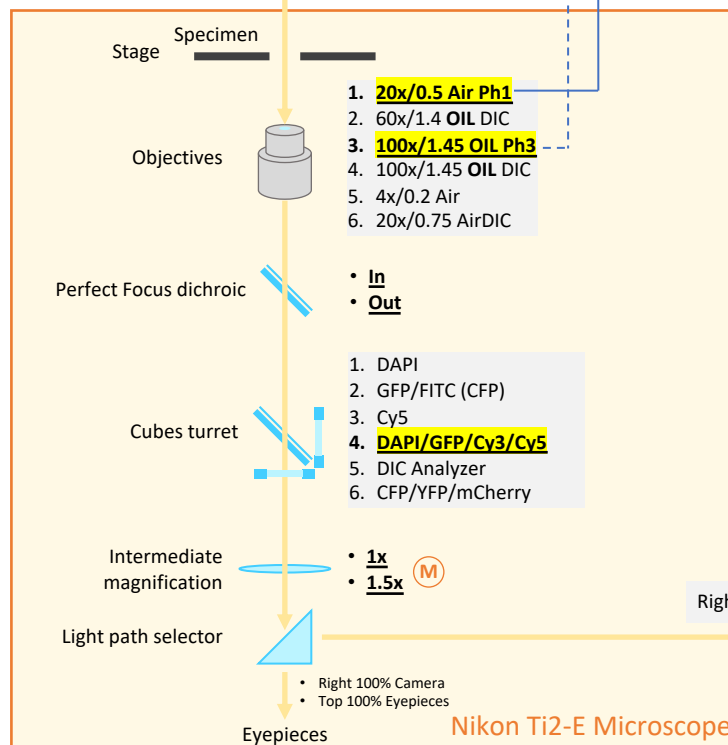
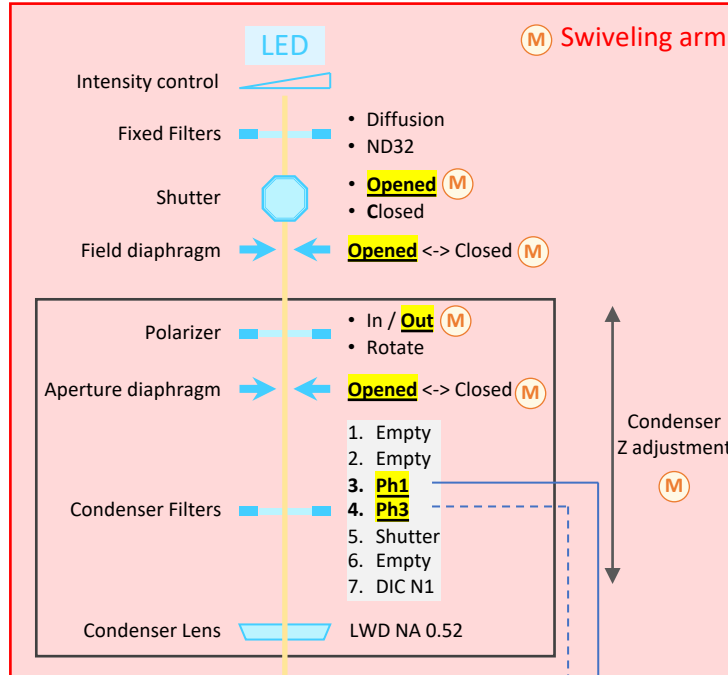
(M) Manual component

Required element

Optional element

Nikon Ti2 R-619

Phase Contrast



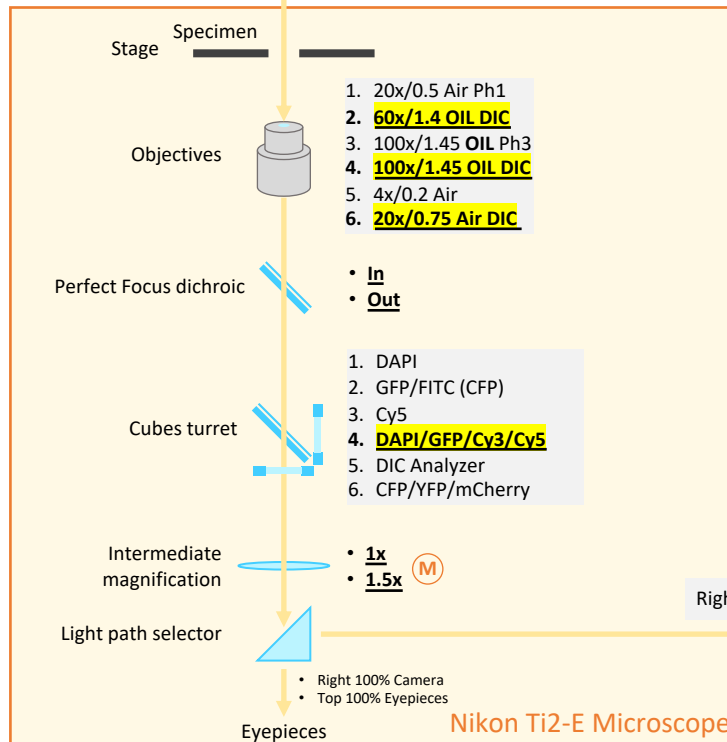
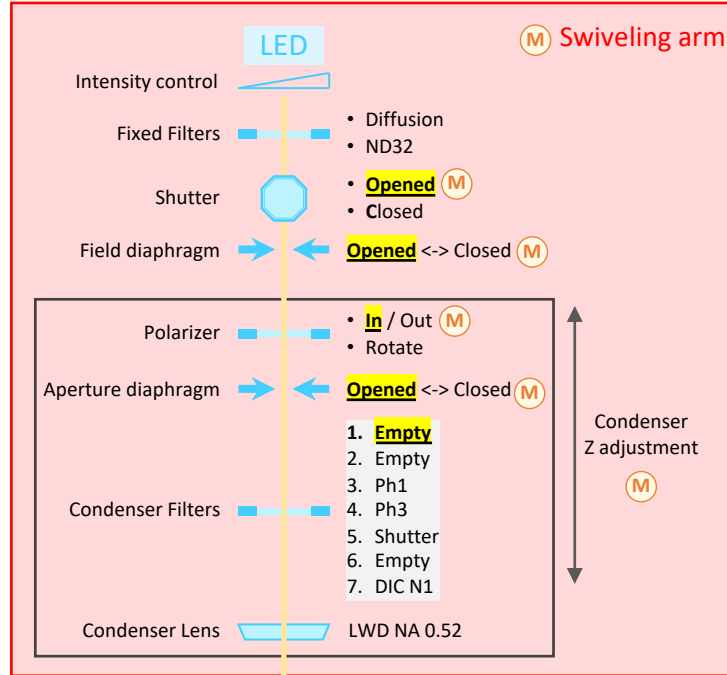
(M) Manual component

Required element

Optional element

Nikon Ti2 R-619

Polarized light



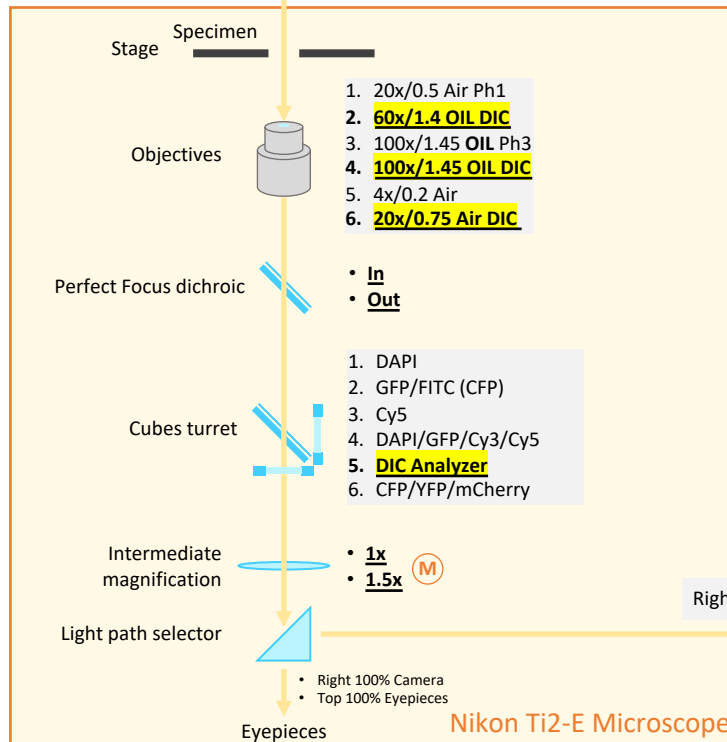
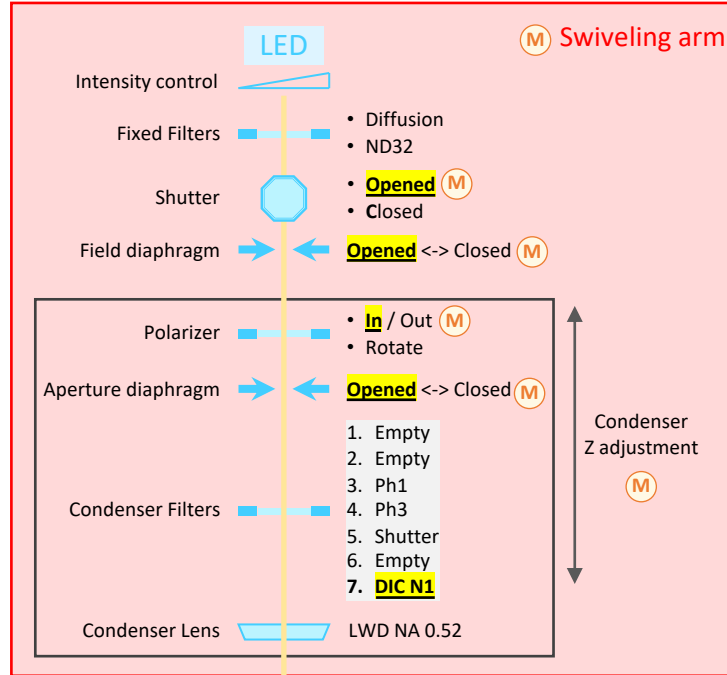
(M) Manual component

Required element

Optional element

Nikon Ti2 R-619

Differential Interference Contrast (DIC)



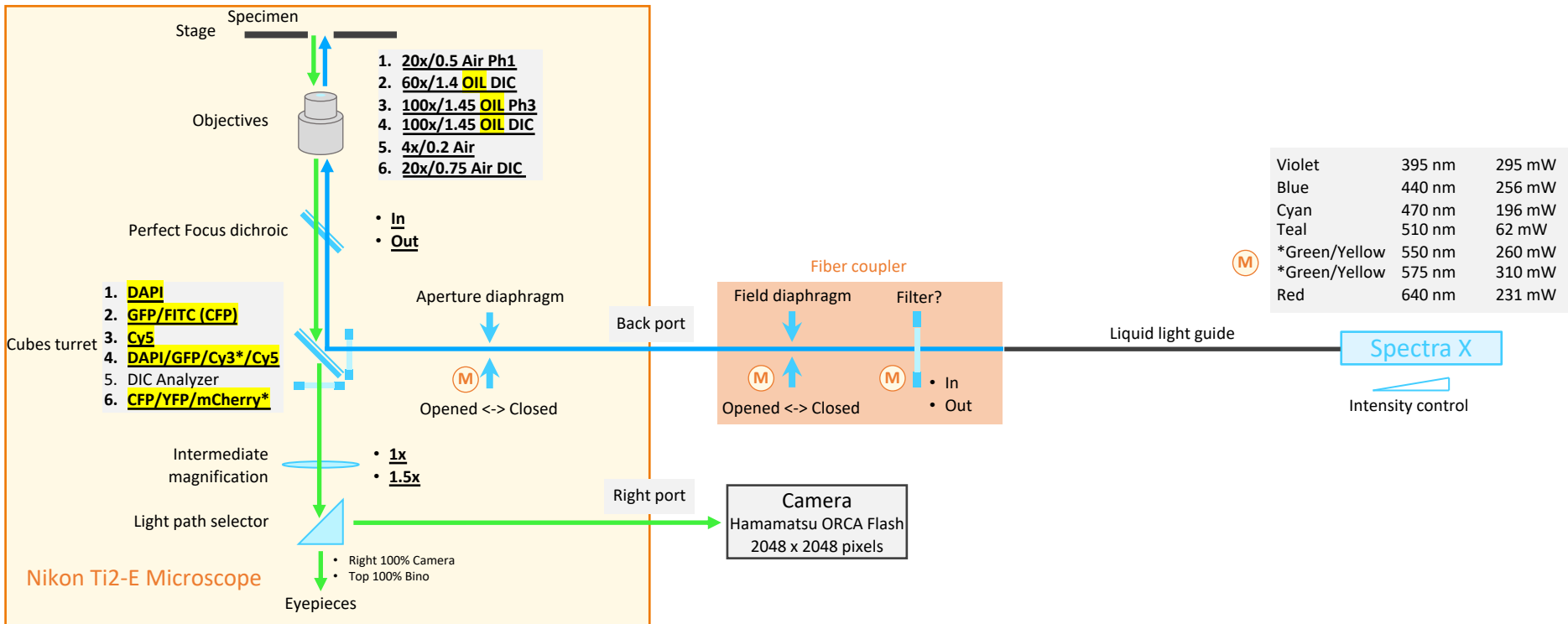
(M) Manual component

Required element

Optional element

Nikon Ti2 R-619

Fluorescence



(M) Manual component

Required element

Optional element

*: Requires manual change of filter in the SpectraX